

Power Terminals
Part No. 556135
Part No. 556136

Material and Finish:

Contacts — Copper alloy plated with .000100 [2.54µm] minimum tin.

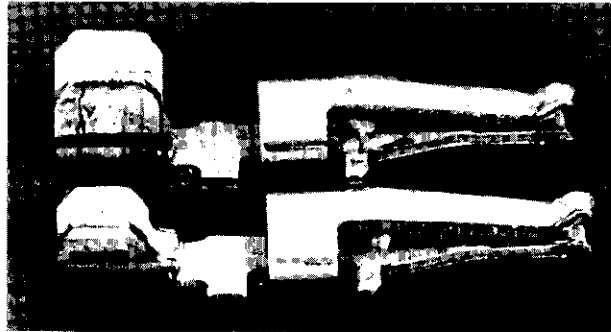
The Wire To Wire Connector Power Contacts are available in either strip form on reels of 2000 pieces, or in loose piece form in packages of 200 pieces.

Contacts in strip form are terminated on continuous feed type terminators and the loose piece contacts are terminated with the hand tool or pneumatic tool.

For wire preparation and crimped contact inspection information, refer to Instruction Sheet 408-3198, Inspection of AMPINNERGY System Power Contacts.

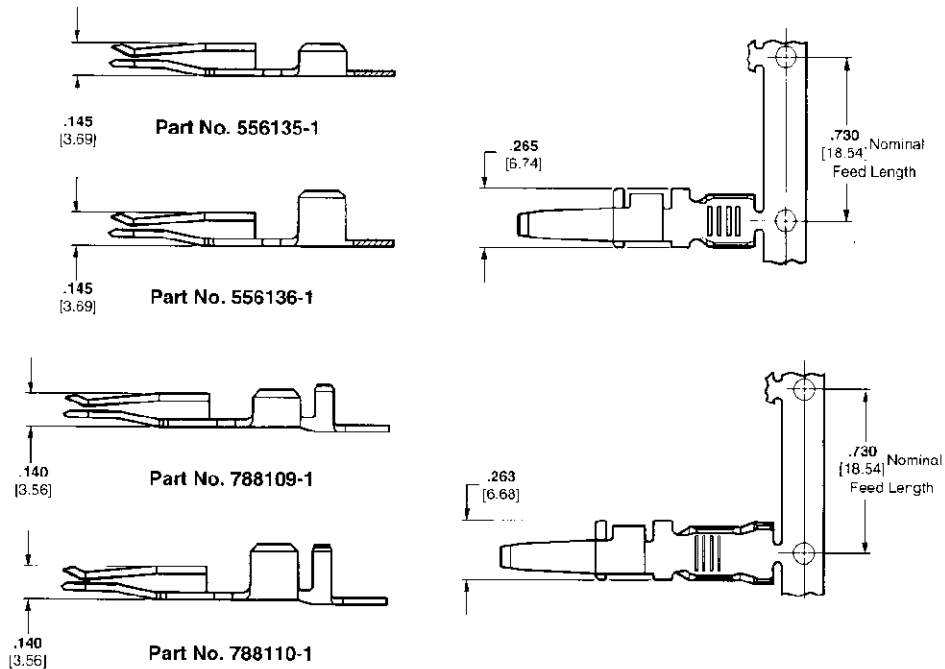
Part No. 556136-2

Part No. 556135-2



Contact Part No.	Wire Size (AWG)	Hand Tool Part No.	Pneumatic tool Part No.	Die Set Part No.
556135-2 (loose piece)	18-16	69710-1	69365-2 or 46118-2	58493-1
200/Box	14			58492-1
556136-2 (loose piece)	12	69710-1	69365-2 or 46118-2	58490-1
200/Box	10			58491-1

NOTE: The same Hand Tool or Pneumatic and Die Sets may be used to apply the Wire-To-Board Connector Terminals.



Contact Part No.	Wire Size (AWG)	Terminator Type	Applicator Part No.
556135-1 (strip) 2000/Reel	18-16-14	"G" Press	567403-3
556136-1 (strip) 2000/Reel	10-12	"G" Press	567256-6
788109-1 (strip) 2000/Reel	18-14	"G" Press	680447-3
788110-1 (strip) 2000/Reel	10-12	"G" Press	680449-3

"G" Press Part No. 354500-1